

ADSL Transformer



Features :

- 1) Small footprint .
- 2) Designed to meet ANSI and ETSI standards .
- 3) Isolation voltage : 3000Vrms Min.

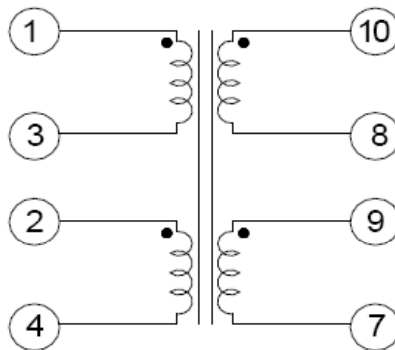
Electrical Specifications @ 25°C --- Operating temperature 0°C To 70°C .

P / N : VT-4262S

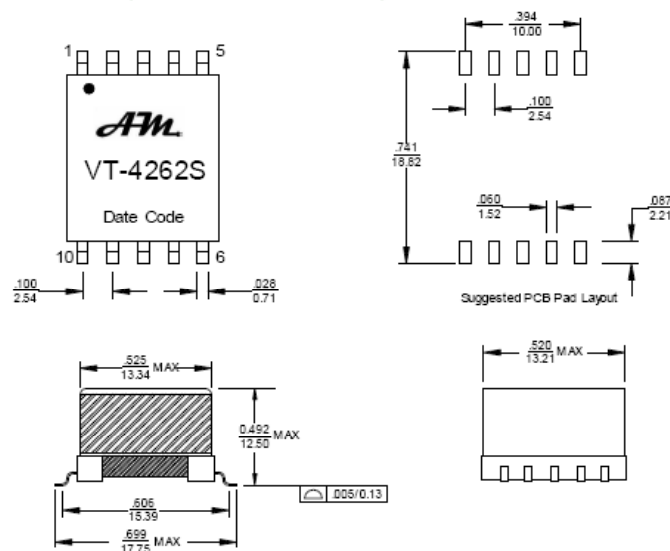
A) Electrical Specifications :

- | | |
|--|---|
| <ol style="list-style-type: none"> 1) Turn Ratio :
(1-3) : (2-4) : (10-8) : (9-7) = 1 : 1 : 1 : 1 +/-2% 2) Inductance (1 - 4):
200uH +/-10% @10KHz 0.1V (short2+3) 3) Leakage Inductance (1 - 4):
1.5uH Max.@100KHz 0.1V (short 10+9+8+7,2+3) | <ol style="list-style-type: none"> 4) D.C.Resistance :
(1-3)+(2-4) : 1.0 ohm Max.
(10-8)+(9-7) : 1.0 ohm Max. 5) Insertion Loss : 0.3 dB Max. @ 1.0 MHz 6) Return Loss : -20 dB Min. @ 2MHz 7) Isolation Hi-Pot : 3000Vrms for 2 Seconds |
|--|---|

B) Schematics



C) Mechanical Dimensions (Unit: inches & mm)



Unless otherwise specified , all tolerances are +/- .010 / 0.25