



Features :

- 1) Small footprint .
- 2) Designed to meet ANSI and ETSI standards .
- 3) Excellent THD performance .
- 4) Isolation voltage : 1500Vrms Min.

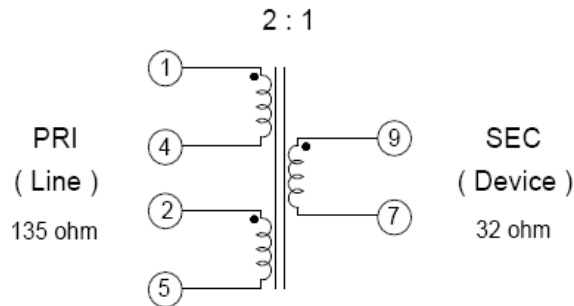
Electrical Specifications @ 25°C --- Operating temperature -40°C To +85°C .

P / N : VT-27928T

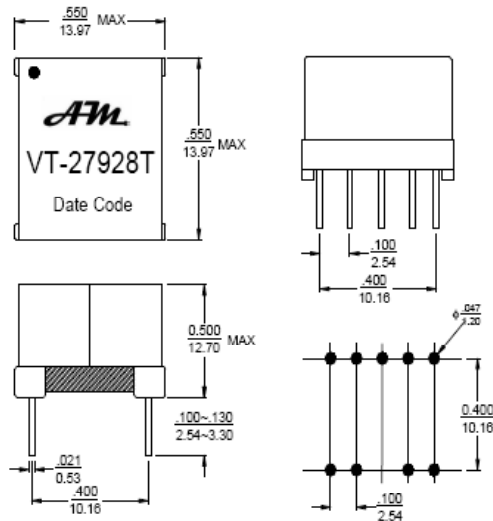
A) Electrical Specifications :

- | | |
|---|---|
| 1) Turn Ratio : (Short2+4)
Pri : Sec = (1-5):(9-7) = 2:1 +/-1% | 5) D.C.Resistance : (1-4) = 2.5 ohm Max
(2-5) = 2.5 ohm Max
(9-7) = 1.0 ohm Max |
| 2) Inductance (1-5): (short2+4)
2.0mH +/-6% @10KHz 0.1V 160mAdc | 6) Insertion Loss : 0.5 dB Max.@ 300KHz |
| 3) Leakage Inductance (1-5):
11uH Max.@100KHz 0.1V (short 2+4,9+7) | 7) Total Harmonic Distortion : (short2+4)
+70 dB Min.@40KHz, +14dBm |
| 4) Isolation Hi-Pot :
1500Vac Min.(Pri -- Sec) | 8) Longitudinal Balance :
50 dB Min. 40K~300KHz, per ITU Method (L-M) |

B) Schematics



C) Mechanical Dimensions (Unit: inches / mm)



Unless otherwise specified, all tolerances are ±.010 / 0.25