



RJ45/Dual USB Combo

Features :

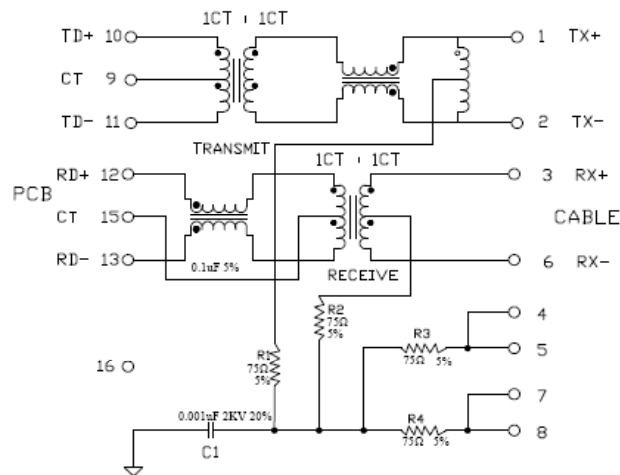
- 1) The RJ45/Dual USB connector internal magnetics are designed to support 10/100/1000 Base-TX applications such as LAN Matherboard and PC applications.
- 2) LAN interface suitable for 10/100/1000Base-TX applications.
- 3) RJ45/USB stacked design saves on PCB real estate
- 4) USB module complies with USB 2.0 standards and meets CAT5 Fast Ethernet industry performance standard
- 5) Internal magnetics options available
- 6) Meets or exceeds IEEE802.3 and ANSIX3.263 standards
- 7) 350uH minimum OCL with 8mA bias current
- 8) High performance for maximum EMI suppression

A) Electrical Specifications @ 25°C --- Operating temperature 0°C To 70°C .

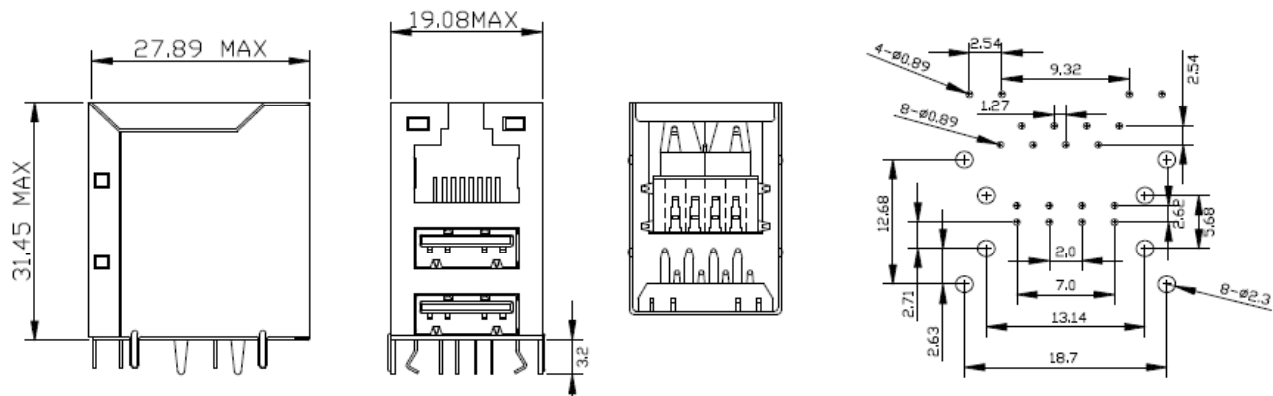
P/N : VT-RJ45-02

Turns Ratio		LED L/R	Insertion Loss (dB Max)	Return Loss (dB TYP.) 100±15 Ω			Crosstalk (dB Min.)			Common Mode Rejection (dB TYP.)		Hi-Pot Vrms Min.
Transmit	Receive	L/R	1~65MHz	1~10MHz	30MHz	60~80MHz	1~10MHz	32~60MHz	60~100MHz	1~50MHz	50~130MHz	1mA, 1min.
1CT:1	1CT:1	G/Y	-1.0	-20	-16	-12	-40	-35	-30	-30	-20	1500V

B) Schematics



C) Mechanical Dimensions (Unit: mm)



Unless otherwise specified, all tolerances are ± 0.10