



### Features :

- 1) Low distortion, specifically designed for V.90 applications
- 2) Flat frequency, phase response
- 3) Optimized design for size and performance
- 4) Designed to reflect 600 Ohms on the PRI with 397 Ohms load on the SEC
- 5) Good Total Harmonic Distortion Characteristics
- 6) Customization available
- 7) Insulation : Class A
- 8) 230°C peak infrared reflow temperature rating
- 9) Operating temperature : -40°C to +85°C

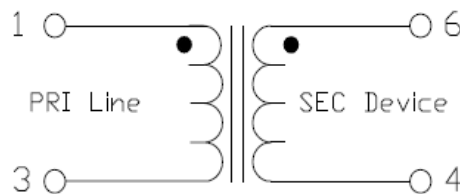
**Electrical Specifications @ 25°C --- Operating temperature -40°C To +85°C .**

## P/N: VT-1056T

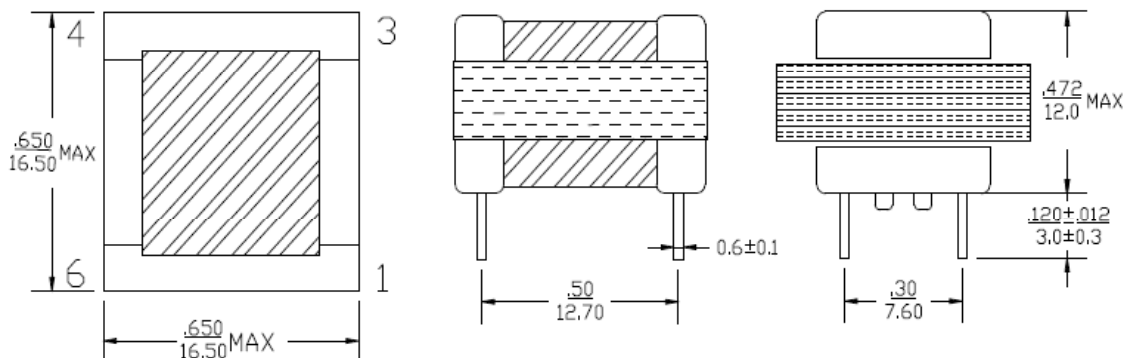
### A ) Electrical Specifications :

- |   |   |
|---|---|
| <ol style="list-style-type: none"> <li>1) D . C . Resistance(20°C) :<br/>                 1 - 3 : 115 Ohms±8%<br/>                 6 - 4 : 91 Ohms±8%</li> <li>2) Longitudinal Balance @ 200Hz - 4KHz : -80 dB Min.</li> <li>3) Insertion Loss @ 1KHz , 1V : -2.0 dB Max.</li> <li>4) Frequency Response @ 200Hz - 4KHz : -38 dB Min</li> <li>6) Hi-pot : 1500VAC , 1mA , 2Sec : PRI - SEC</li> </ol> | <ol style="list-style-type: none"> <li>7) Inductance (Lp) @ 200Hz , 1.0VAC<br/>                 1-3 : 19 H Min (26 H Typ)</li> <li>8) Leakage Inductance (Ls) @ 200Hz , 1.0V<br/>                 1-3 tie (4+6) : 5mH Max</li> <li>9) Q value @ 200Hz , 100mV : 1-3:1.2Min</li> <li>10) Turns Ratio : 1-3 : 6-4 = 1 : 1 ±1%</li> <li>11) Total Harmonic Distortion @ 300Hz , -10dBm : - 86dB Max</li> </ol> |
|---|---|

### B ) Schematics



### C ) Mechanical Dimensions ( Unit: inches/mm )



**Unless otherwise specified, all tolerances are ± 0.25**