

1000 Base-T Magnetics Modules



Designed to Support 1:1 Turns Ratio Transceivers

Features :

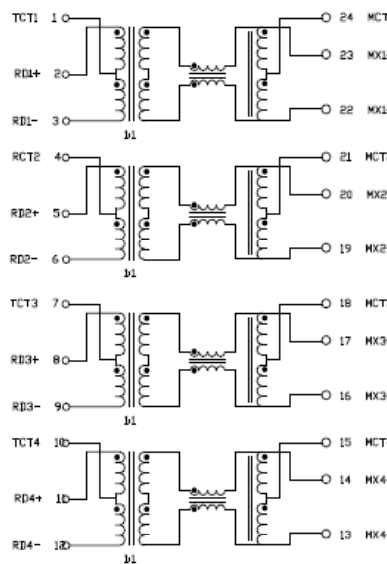
- 1) IEEE 802.3af/ANSI X3.263 compliant performance.
- 2) Designed for IP phone or switch applications.

A) Electrical Specifications @ 25°C --- Operating temperature 0°C To 70°C .

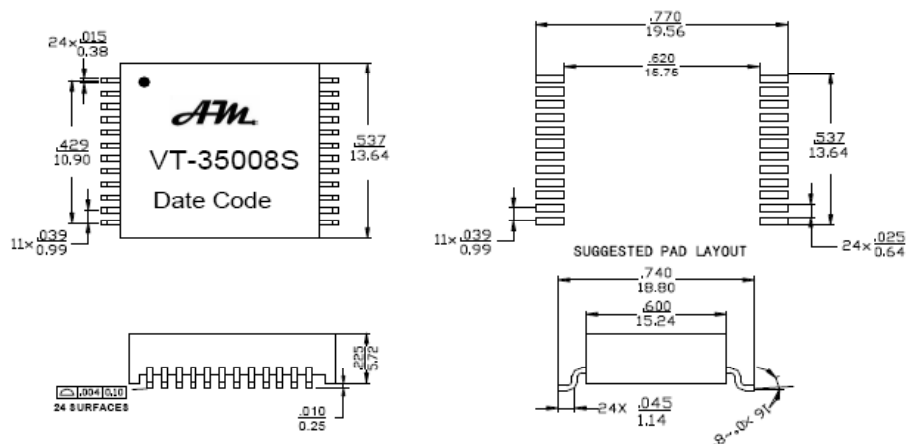
P/N : VT-35008S

| Insertion Loss (dB Max) | Return Loss (dB Min. @ 100 ohm) | | | | | Differential to Common Mode Rejection (dB Min.) | | | Crosstalk (dB Min.) | | | Hi-Pot Vrms Min. |
|----------------------------|------------------------------------|---------|-------|-------|----------|---|-------|-------|------------------------|-------|-------|------------------------|
| | 1-100MHz | 1-30MHz | 40MHz | 50MHz | 60-80MHz | 100MHz | 30MHz | 60MHz | 100MHz | 30MHz | 60MHz | |
| 1.0 | -18 | -18 | -16 | -12 | -10 | -43 | -37 | -33 | -43 | -37 | -33 | 1500V |

B) Schematics



C) Mechanical Dimensions (Unit: inches / mm)



Unless otherwise specified, all tolerances are $\pm 0.10 / 0.25$

AlfaMag Electronics * 10830 Kinghurst Drive * Houston, TX 77099
 Phone: 832-775-1318 * Fax: 832-775-1317 * email: support@alfamag.com
 Toll Free: 800-413-6693 * www.alfamag.com