



1000 BASE-T MAGNETICS MODULES

Designed to Support 1:1 Turns Ratio Transceivers

Features :

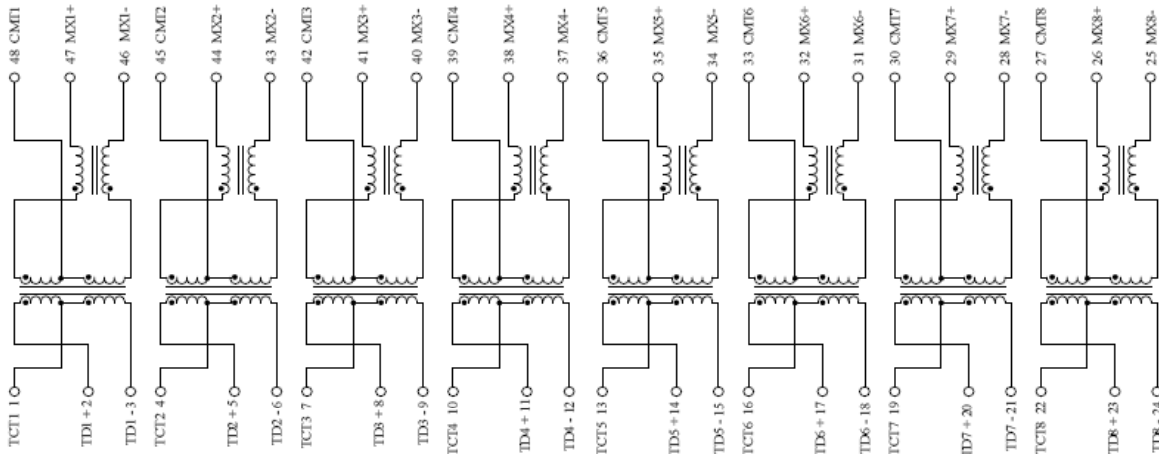
- 1) Designed for long haul Gigabit Ethernet 1000BASE-T full duplex applications .
- 2) Supports 4 pairs of category 5 UTP cable .
- 3) Cable interface for isolation and low common mode emissions .
- 4) Compliant with IEEE 802.3ab standard for 1000 Base-T.
- 5) Minimum 1500Vrms isolation per IEEE 802.3 requirement
- 6) IC grade transfer-molded package withstands 235°C peak temperature profile

A) Electrical Specifications @ 25°C --- Operating temperature 0°C To 70°C .

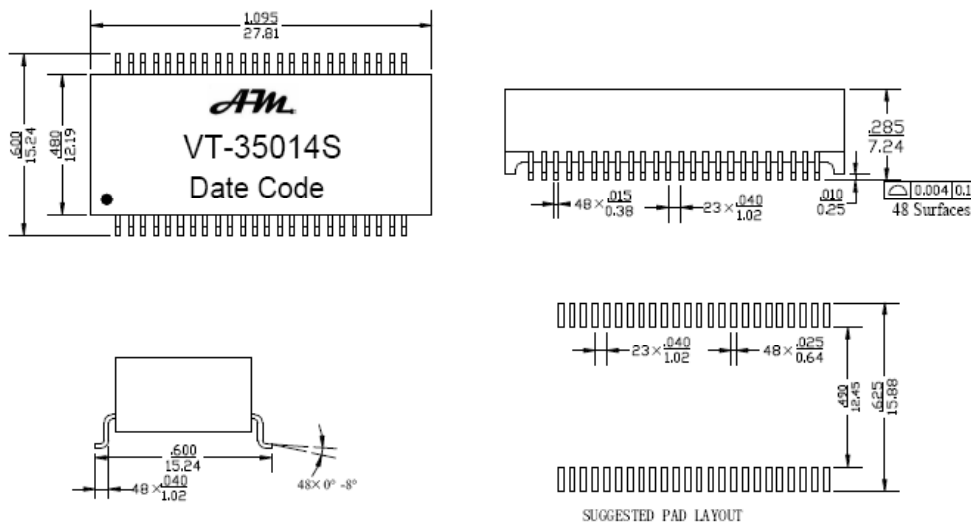
P/N : VT-35014S

Insertion Loss (dB Max.)	Return Loss (dB Min.)			DCMR (dB Min.)			Crosstalk (dB Min.)			OCL (8mAdc bias)	LL (Max.)	C _{ww} (Max.)	DCR (Max.)	Hi pot (Min)
1-100MHz	30MHz	60-80MHz	100MHz	30MHz	60MHz	100MHz	30MHz	60MHz	100MHz	100KHz, 0.1V	100KHz,1V	100KHz,1V	25°C	0.5mA 60sec
-1.4	-16	-12	-10	-45	-40	-35	-43.5	-37.5	-33	350 uH Min.	0.4 uH	30 pF	0.7&1.2 ohm	1500Vac

B) Schematics



C) Mechanical Dimensions (Unit: inches / mm)



Unless otherwise specified , all tolerances are +/- .010 / 0.25